

GETTING STARTED

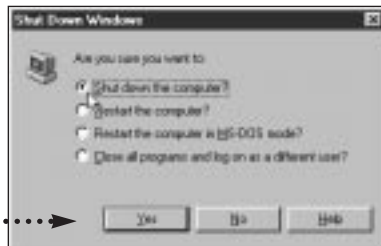
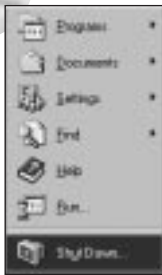
1

Insert CD, then choose Install NI-488.2 Software for Windows.



2

Shut down, then power off computer.



Power Off
Computer

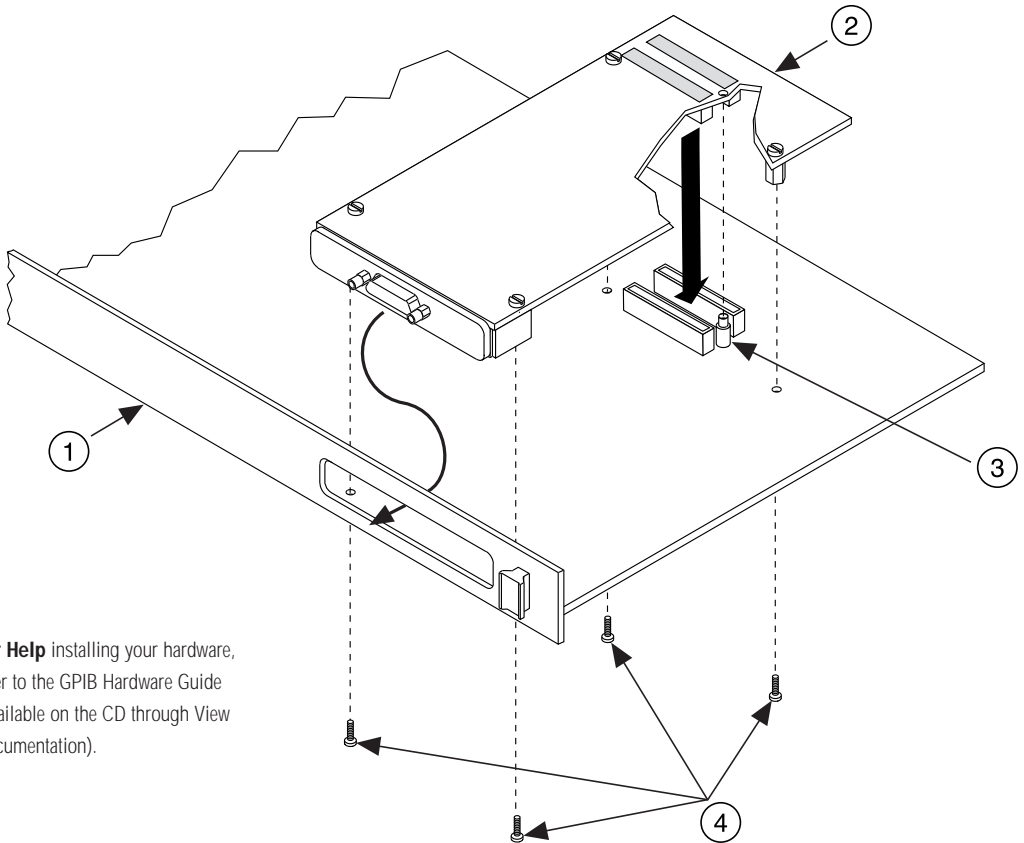
(Continued)

3

Install hardware*.

A. Select an unused PMC slot. You may need to remove the host to access a PMC slot.

B. Insert the PMC-GPIB and screw it into place.



* **For Help** installing your hardware, refer to the GPIB Hardware Guide (available on the CD through View Documentation).

C. If you removed the host, reinstall it now.

Key

- ① Host Face Plate
- ② PMC-GPIB Board
- ③ +5 V Voltage Key
- ④ Mounting Screws

4

Power on computer, then run NI-488.2 Getting Started Wizard.





www.natinst.com/support/
support@natinst.com

Tel: (512) 795-8248 • Fax: (512) 683-5678
Fax-on demand: (512) 418-1111 • [ftp.natinst.com](ftp://ftp.natinst.com)



020899

322268A-01